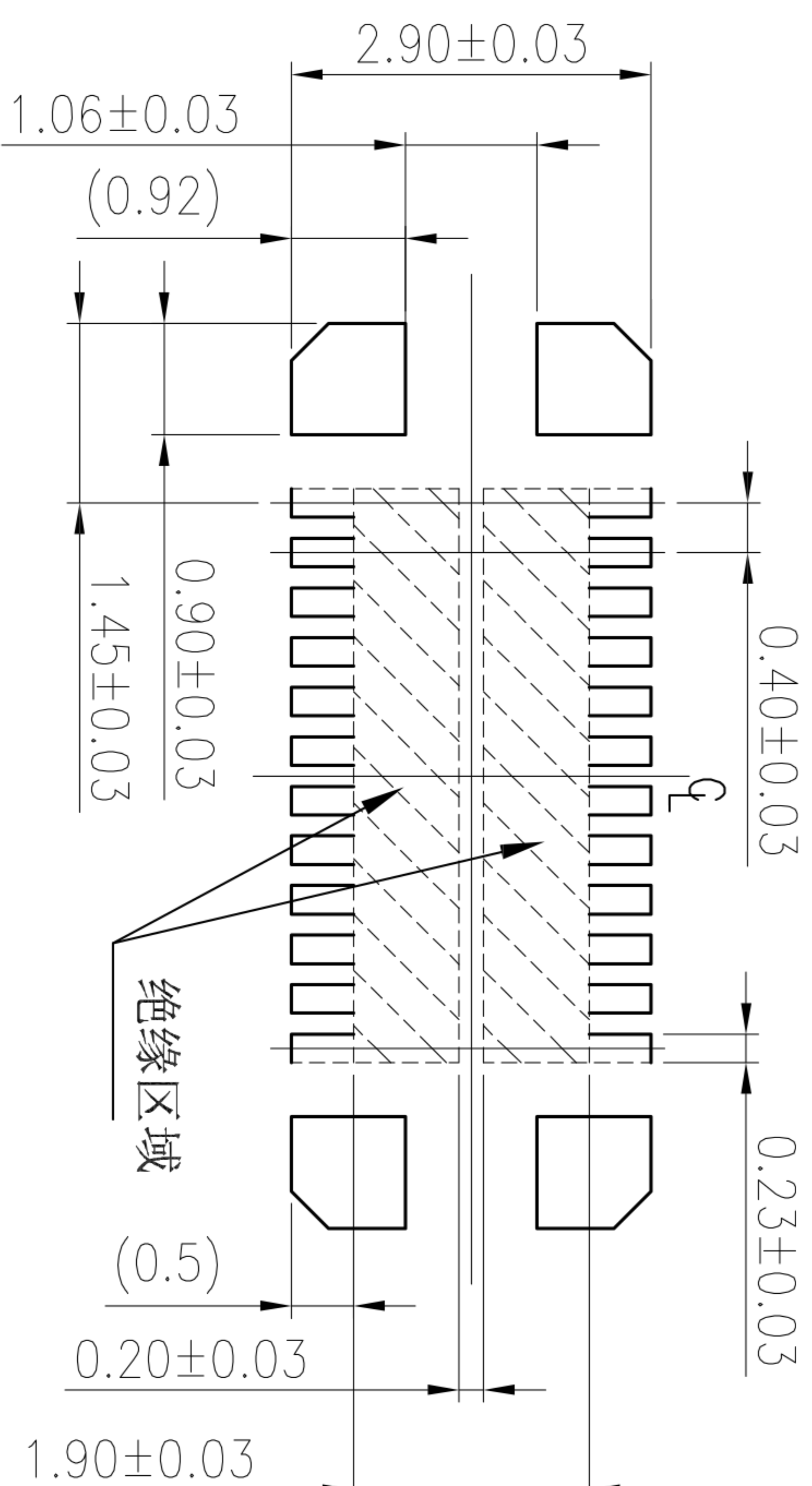
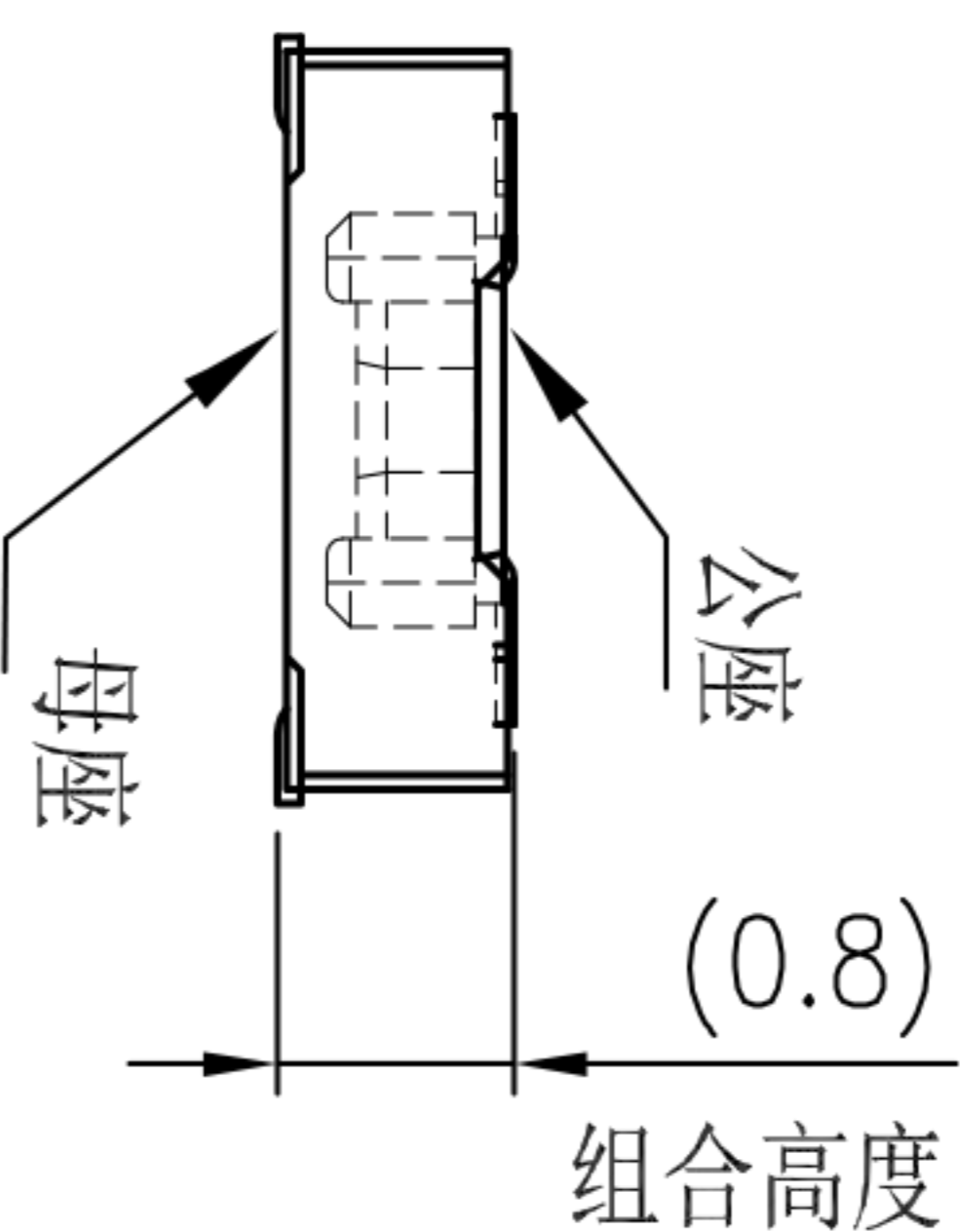
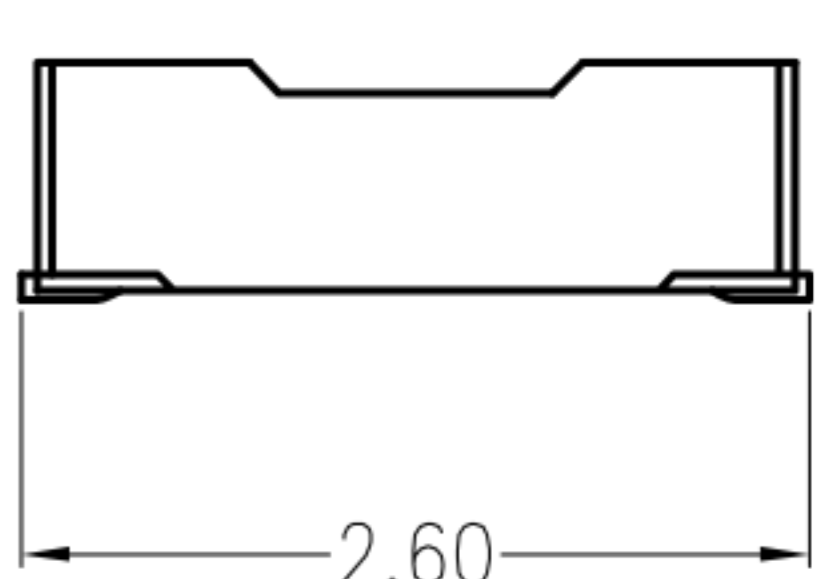


NO. of contacts	Dimensions			
	A.	B.	C.	D.
10	2.50	3.60	3.80	4.70
24	5.30	6.40	6.60	7.50
30	6.50	7.60	7.80	8.70
40	8.50	9.60	9.80	10.70



RECOMMENDED P.C. BOARD LAYOUT
Tolerance: ±0.05

NOTES:
HOUSING: HIGH TEMPERATURE HOUSING UL94V-0
WITHSTANDS IR AND VPR SOLDERING METHODS.
CONTACTS: PHOSPHOR BRONZE.
PLATING: GOLD PLATED.
ELECTRICAL CHARACTERISTICS:
CURRENT RATING: 0.3 AMP.
INSULATOR RESISTANCE: 1000MΩ MIN. AT DC 250V.
CONTACT RESISTANCE: 90MΩ MAX. AT DC 100MA.
OPERATING TEMPERATURE: -55°C ~ +85°C.

ECN NO.	REV.	DATE.	DESCRIPTION.	CHANGE.	CHECK.	APPRO.
	A		NEW			

APPROVALS		DATE	TITLE:	
DRAWN	ZHIWEI.CHEN	2015.07.07	PART NO.	GP02-7XX-GXXS-B0R
CHECKED			UNIT:	mm
APPROVALS			SCALE:	1:1
TOLERANCES ARE			DRAWING NO.	
30~以上	±0.30	ANGLE		PROJ.
10~30	±0.20			
5~10	±0.15	±2°		
~ 5	±0.10			SHEET 1 OF 1



深圳市联丰电子有限公司
SHENZHEN LINFENG ELECTRONIC CO.,LTD